

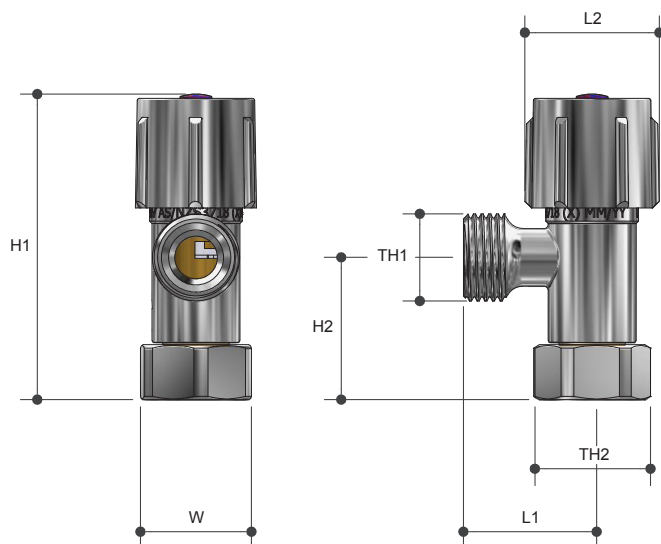
Isolation Stops

CISTERN STOP SWIVEL NUT

SD15SNC

Product Specifications

MT MONOPOLY™
T A P W A R E



Specifications

Maximum working temperature 75°C

Maximum pressure rating 1000kPa

Sizing Chart (MM)

	L1	L2	H1	H2	W	TH1	TH2
SD15SNC	32	32	72	34	26	G 1/2"	G 1/2"

Features

Watermark approved

Chrome plated finish

Premium quarter turn ceramic disc

Fitquik Swivel Nut for ease of installation

Australian patent number 2016100282

Tested and certified to AS/NZS 3718



For more information on Monopoly Tapware, contact:
Austworld 15 Activity Crescent, Molendinar, Queensland 4214 Australia

P. 1300 780 430 F. 1300 780 441 E. info@austworld.com.au

Austworld Pty Ltd. All rights reserved 2018. Austworld and Monopoly Tapware are registered trade mark belonging to Austworld Pty Ltd.

